

SHARP

Be Original.

BP-22C20

Digital Full Colour Multifunctional System

Add colourful impact to your documents



smart business partner

7.0-inch Colour LCD Touchscreen

Operating the MFP is easy and intuitive with the 7.0-inch colour LCD touchscreen. The control panel can be tilted freely at various angles.

Information LED

Next to the control panel is an LED lamp that lights up in blue or orange. It notifies you—even from a distance—of the status of the MFP.

Automatic Document Feeding

The RSPF (reversing single pass feeder) efficiently feeds in either one- or two-sided originals—in batches of up to 100 sheets. With a scanning speed of up to 31 opm*¹ (one-sided) for both colour and B/W documents, the MFP can complete large jobs with ease and efficiency.

USB Drive Direct Printing/Scanning*²

Insert a USB drive into the MFP and a command screen will automatically pop up on the LCD. Right away you can print files from the USB drive or scan documents directly to the USB drive.

Solid Security

A range of security features help to keep your information safe, whether it's on the MFP or over your network. These include data encryption/erasure, TLS 1.3 support, and user authentication via IC cards*³.

Handy Copier Functions

The MFP comes standard with such image-editing functions as ID card copy, margin shift, edge/centre erase, and dual page copy—all of which make copying more convenient.

Link Mobile Devices

Mobile devices installed with the Sharpdesk Mobile app*⁴ can connect directly to the MFP for printing or downloading scanned data. The MFP can also be equipped with the Sharp Print Service Plugin*⁵.

Wireless LAN Connection (option)

Wireless connectivity enables easy access from mobile devices and flexible MFP placement. The MFP also supports Wi-Fi Direct® and Wi-Fi Protected Setup™.

Space-saving Design

Measuring just 560 × 581 × 653 mm, this MFP will easily find a niche in your SOHO or larger office. Simply place it next to a desk, behind a counter, or anywhere that space is limited.

Easy-grip Handles

Easy-grip handles reflect a universal design that allows the paper drawers to be grasped from the top as well as the bottom for easy opening and closing.

Ample Paper Capacity

A 250-sheet tray and a 100-sheet multi bypass tray come standard. An optional 500-sheet tray and a 2 × 500-sheet drawer are available for a total paper capacity of 1,850 sheets.

*1: Originals per minute; when feeding A4 (8 1/2" x 11") sheets in scan mode.

*2: An IC card reader cannot be used when doing USB drive direct printing/scanning. Direct printing of PDF files requires optional BP-PK10/PK10L.

*3: IC card authentication requires a third-party card reader. When using an IC card reader, USB drive direct printing/scanning is not available.

*4: Availability varies by country/region.

*5: Requires optional MX-PK10/PK10L.

SPECIFICATIONS

General

Type	Desktop
Engine speed	A4 (8 1/2" x 11") ^{*1} : Max. 20 ppm A3 (11" x 17") ^{*2} : Max. 12 ppm
Control panel display	7.0-inch colour LCD touchscreen
Paper size	Max. A3W (12" x 18"), min. A6 (5 1/2" x 8 1/2") ^{*2}
Paper capacity (80 g/m ²)	Standard: 350 sheets (250-sheet tray and 100-sheet multi bypass tray) Maximum: 1,850 sheets (350 sheets & optional 3 x 500-sheet tray)
Paper weight	Tray 1: 60 g/m ² to 105 g/m ² (16 lbs bond to 28 lbs bond) Trays 2-4 (BP-CS14/DE16): 60 g/m ² to 220 g/m ² (16 lbs bond to 80 lbs cover) Multi bypass tray: 55 g/m ² to 256 g/m ² (13 lbs bond to 140 lbs index)
Warm-up time ^{*3}	27 sec. ^{*4}
Memory	2 GB (copy/print shared) 16 GB eMMC
Power requirements	Rated local AC voltage ±10%, 50/60 Hz
Power consumption	Max. 1.84 kW (220 V to 240 V)
Dimensions (W x D x H)	560 x 581 x 653 mm (22 1/16" x 22 7/8" x 25 23/32")
Weight (approx.)	52 kg (114.7 lbs)

Copier

Original paper size	Max. A3 (11" x 17")
First copy time ^{*5}	Colour: 11.5 sec. B/W: 8.0 sec.
Continuous copy	Max. 999 copies
Resolution	Scan: 600 x 600 dpi, 600 x 400 dpi Print: 600 x 600 dpi
Gradation	Equivalent to 256 levels
Zoom range	25% to 400% (25% to 200% using RSPF) in 1% increments
Preset copy ratios	Metric: 10 ratios (5R/5E), inch: 8 ratios (4R/4E)

- *1: Long-edge feeding.
- *2: Only short-edge feeding can be used with A6 (5 1/2" x 8 1/2") paper.
- *3: In a standard measurement environment. May vary depending on operating conditions and environment.
- *4: When starting the MFP via the power button or the main power switch.
- *5: Long-edge feeding of A4 (8 1/2" x 11") sheets from 1st paper tray, using document glass, MFP in fully ready condition. May vary depending on operating conditions and environment.
- *6: Scan speed will vary depending on the type of document, the scan settings, operating conditions, and environment. Based on Sharp's A4 standard chart, using document feeder, long-edge feeding, one-sided scanning, and factory default settings.
- *7: Resolution will vary depending on the size of the scanned area.
- *8: Colour/greyscale only.
- *9: Requires Network Scanner Tool Lite.
- *10: Requires optional BP-EB10. Availability of this option varies by country/region.
- *11: Mac OS requires optional BP-PK10/PK10L.

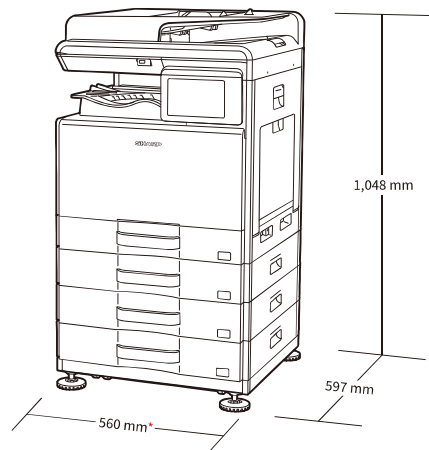
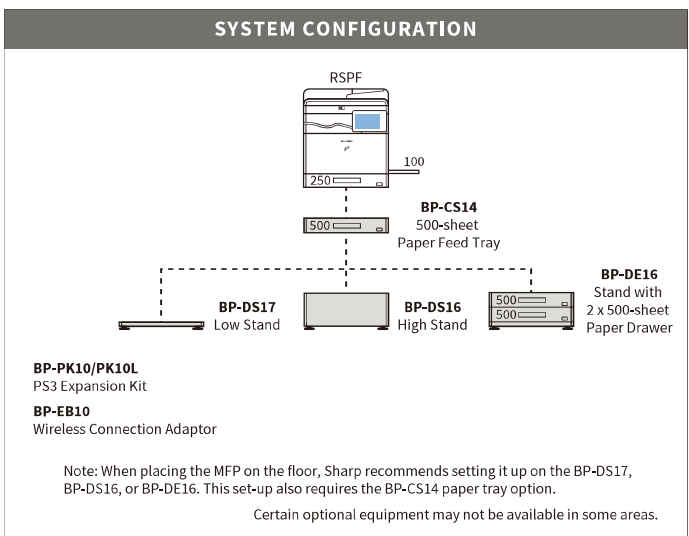
Scanner

Scan method	Push scan (via control panel) Pull scan (TWAIN-compliant application) [Colour & B/W] Max. 31 originals/min.
Scan speed ^{*6}	
Resolution	Push scan: 100, 150, 200, 300, 400, 600 dpi Pull scan: 75, 100, 150, 200, 300, 400, 600 dpi 50 dpi to 9,600 dpi via user setting ^{*7}
File formats	TIFF, PDF, JPEG ^{*8}
Scan destinations	Email/desktop ^{*9} /FTP server/network folder (SMB)/ USB drive

Printer

Resolution	600 x 600 dpi
Interface	USB 2.0 (host, high-speed), 10Base-T/100Base-TX/1000Base-T, wireless LAN (IEEE 802.11 a/b/g/n/ac) ^{*10}
Supported OS ^{*11}	Windows Server 2016, Windows Server 2019, Windows Server 2022, Windows 10, Windows 11, Mac OS 10.10, 10.11, 10.12, 10.13, 10.14, 10.15, 11, 12, 13, 14
Network protocols	TCP/IP
Printing protocols	LPR, Raw TCP (port 9100), FTP for downloading print files, IPP, WSD
PDL	Standard: PCL 6 emulation Option: PostScript 3 emulation
Available fonts	80 fonts for PCL, 136 fonts for PostScript 3 emulation

- Design and specifications are subject to change without prior notice.
- Mac is a trademark of Apple Inc., registered in the US and other countries. Wi-Fi Direct is a registered trademark of Wi-Fi Alliance®. Wi-Fi Protected Setup is a trademark of Wi-Fi Alliance®. Windows and Windows Server are trademarks of the Microsoft group of companies. PostScript is either a registered trademark or trademark of Adobe in the US and/or other countries. All other brand names and product names may be trademarks or registered trademarks of their respective owners.



Shown with optional equipment.

Distributed by:



SHARP ELECTRONICS (VIETNAM) COMPANY LIMITED.
T5-B03.07 & T5-B03.09, 3rd Floor Masteri Thao Dien,
No. 159, Vo Nguyen Giap Street, Thao Dien Ward, Thu Duc city, Ho Chi Minh city
Website: vn.sharp **Hotline:** 1-800-1594
Service email: sbs-service@svn.sharp-world.com

Scan QR
to connect
Zalo OA

